

MODEL		Sorter for F11/NC11					VOLT/Hz	DATE OF MODIFICATION	SERIAL NO.	
MODIFIED ARTICLE		Relay Guide Mylar for NC11					115V/60Hz A4 - 06)		2349490001	
REASON OF MODIFICATION		To install the sorter onto the NC11					REI Production			
							220,240V/50Hz A423 - 4		2349500001	
							REI Production			
DRAW. NO.	OLD PARTS NO.	NEW PARTSNO.	DESCRIPTION	A.B.C RANK	Q'TY USED OLD→NEW	INTER-CHANGE-ABILITY	PART NEEDED FOR REPLACEMENT BY NEW PART		PART CATALOG	
								PART NO.	DESCRIPTION	INDEX NO.
		A4237111	Relay Guide Mylar		0 - 1	/			*72	3
						/		* :New Index		
	A4238650	A4238611	Operating Instructions - English		1 - 1	/			3	9
	A4238615	A4238616	Operating Instructions - 5 Languages		1 - 1	/			3	9
						/				
						/				
						/				
						/				
						/				
						/				
						/				
						/				

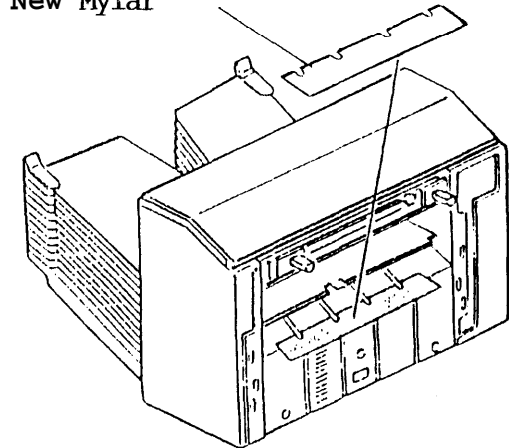
- (1)  A : To replace new parts immediately.
- B : To replace new parts at the time of repair.
- : To replace new parts at the time of overhaul.
- (2) When old and new parts are not mutually interchangeable, use additional parts or an assembly part indicated in " PARTS NEEDED FOR REPLACEMENT BY NEW PART" to install the new part.
- (3)  Left mark indicates whether old part can be used in new machine or not.  
 Right mark indicates whether new part can be used in old machine or not.
- (4) Please file this BULLETIN between pages \_\_\_\_\_ and \_\_\_\_\_ of your service manual.

DETAILS OF MODIFICATION

MANUAL PAGE

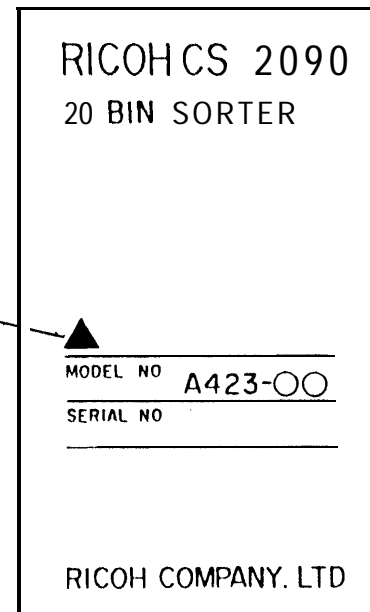
To install the other model's sorter onto the NC11, a mylar strip has been added as an accessory.  
At the same time, the installation procedure for the NC11 has been added to the installation procedure ( #A4238650, #A4238615 ).

\*Index 72  
New Mylar



NOTE:  
In addition to the starting serial number on the first page of this bulletin, the triangle mark has been added to the corrugated cardboard box as shown to the right, so that you can easily know whether this modification is applied or not.

Triangle Mark



  
**M. Konno**, Manager  
Quality Assurance Department

<b>Model</b>	Sorter for F11/NC11	<b>Volt/Hz</b>	<b>Date of Modification</b>	<b>Serial Number</b>
<b>Modified Article</b>	Front Cover, Rear Cover, Upper Cover (NRG only)			
<b>Reason for Modification</b>	As per NRG's request			

As per NRG's request, the color of the following exterior covers have been changed.

Old P/N	New P/N	Description	Interchangeability	Page	Index
A4236318	A4236314	Upper Cover (NRG)	X/X	1 - 3	2
A4236118	A4236114	Front Cover (NRG)	X/X	1 - 3	25
A4236218	A4236214	Rear Cover (NRG)	X/X	1 - 3	57



T. Ito, Manager  
Copier Technical Support

MODEL NAME	V/Hz	DESTINATION	JAPAN PRODUCTION		REI PRODUCTION	
			CODE	SERIAL NUMBER	CODE	SERIAL NUMBER
NRG SRC240	11 5/60	S. AMERICA, etc.	A423-16		A423-36	1872460001
RICOH CS2090	115/60	USA, CANADA	A423-17		A423-06	
NRG SRC240	220/50	EUROPE, etc.	A423-25		A423-45	1882510001
INFOTEC SORTER 7125	220/50	EUROPE	A423-26		A423-46	
RICOH CS2090	220, 240/50	EUROPE, etc.	A423-27		A423-47	

<b>Model</b>	Sorter for F11/NC11 (European Version Only)	<b>Volt/Hz</b>	<b>Date of Modification</b>	<b>Serial Number</b>
<b>Modified Article</b>	Bin Motor - 220V/240V			
<b>Reason for Modification</b>	Due to parts standardization with 115V version			

Due to parts standardization with 115V version, the bin motor has been changed. The interchangeability is O/O.

Old P/N	Old Description	New P/N	New Description	Page	Index
68035420	Bin Motor - 220V/240V	68035400	Bin Motor - AC14/17W	3	30

T. Ito, Manager  
Copier Technical Support

MODEL NAME	V/Hz	DESTINATION	JAPAN PRODUCTION		REI PRODUCTION	
			CODE	SERIAL NUMBER	CODE	SERIAL NUMBER
NRG SRC240	115/60	S. AMERICA, etc.	A423-16	/	A423-36	
RICOH CS2090	115/60	USA, CANADA	A423-17		A423-06	
NRG SRC240	220/50	EUROPE, etc.	A423-25		A423-45	
INFOTEC SORTER 7125	220/50	EUROPE	A423-26		A423-46	
RICOH CS2090	220, 240/50	EUROPE, etc.	A423-27		A423-47	

<b>Model</b>		Sorter for F11/NC11					<b>Volt/Hz</b>	<b>Date of Modification</b>	<b>Serial Number</b>	
<b>Modified Article</b>		Guide stopper plate								
<b>Reason for Modification</b>		Prevention of the upper guide plate dislodgment								
Draw No.	Old Parts No.	New Parts No.	Description	A.B.C.	Q'ty Used Old New	Inter-changeability	Part needed for replacement by new part		Parts Catalog	
				Rank			Part No.	Description	Index No.	Page
		A4142311	Spring Plate - Guide Stopper		0 → 2				* 72	3
									* New Index	

Rank: A : Replace with new parts immediately.      B : Replace with new parts at time of repair.      C : Replace with new parts at time of overhaul.

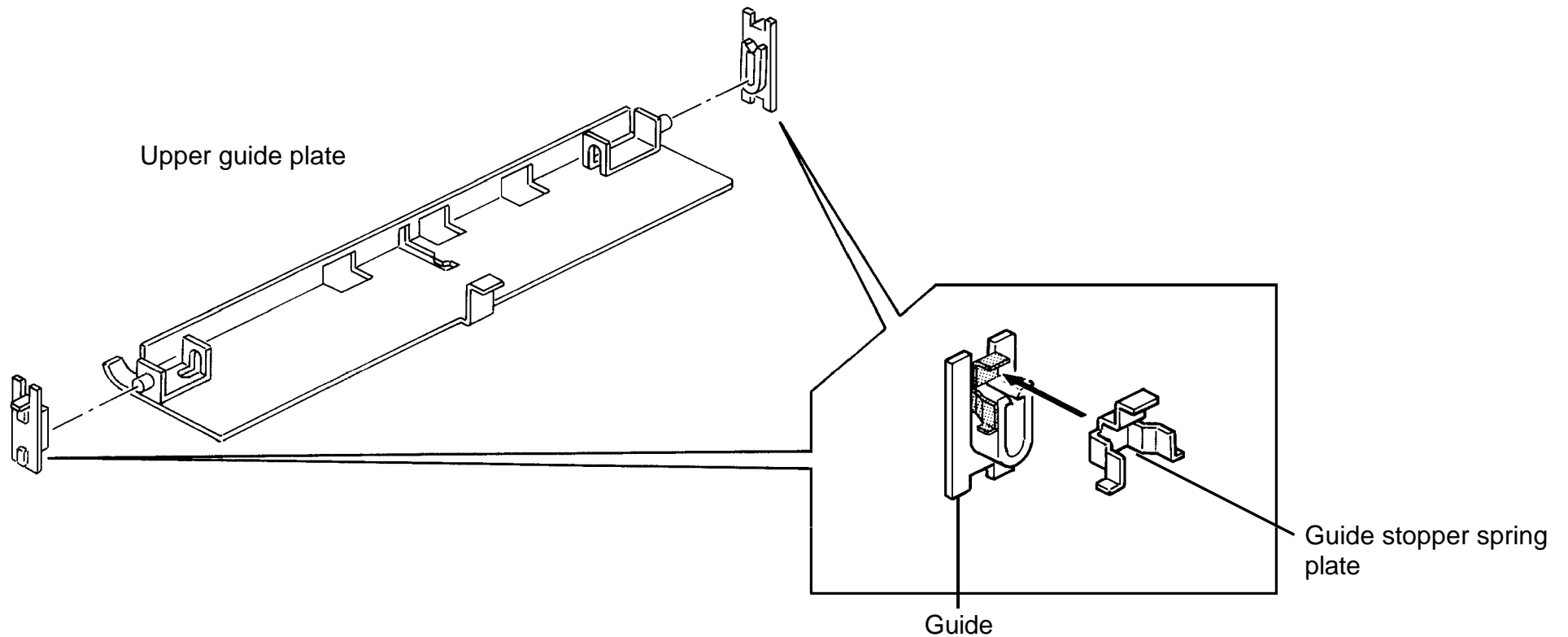
Interchangeability:

(1) When old and new parts are not mutually interchangeable, use additional parts or an assembly parts indicated in "Parts needed for replacement by new part" to install the new part.

(2) The mark to the left of the slash indicates whether the old part can be used in the new machine and the mark to the right indicates whether the new part can be used in the old machine.    x = Not interchangeable    o = Interchangeable

DETAILS OF MODIFICATION

The upper guide plate may be dislodged from the guide if handled roughly when removing jammed paper from the sorter. To hold the upper guide plate, two guide stopper spring plates (front and rear) have been added.



T. Ito, Manager  
Copier Technical Support



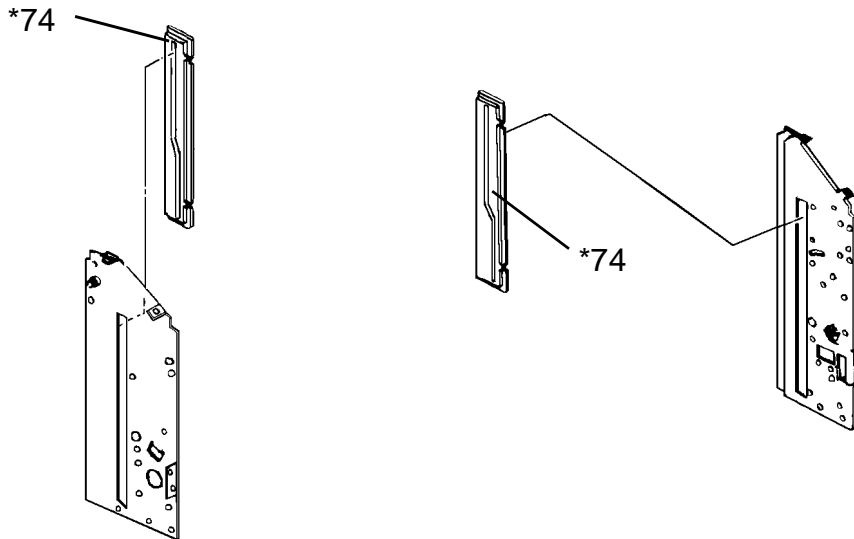
MODEL NAME	V/Hz	DESTINATION	JAPAN PRODUCTION		REI PRODUCTION	
			CODE	SERIAL NUMBER	CODE	SERIAL NUMBER
NRG SRC240	115/60	S. AMERICA, etc.	A423-16	Service Parts Only	A423-36	
RICOH CS2090	115/60	USA, CANADA	A423-17	Service Parts Only	A423-06	
NRG SRC240	220/50	EUROPE, etc.	A423-25	Service Parts Only	A423-45	
INFOTEC SORTER 7125	220/50	EUROPE	A423-26	Service Parts Only	A423-46	
RICOH CS2090	220, 240/50	EUROPE, etc.	A423-27	Service Parts Only	A423-47	

<b>Model</b>	Sorter for F11/NC11/NCX/Kite	<b>Volt/Hz</b>	<b>Date of Modification</b>	<b>Serial Number</b>
<b>Modified Article</b>	Parts Catalog			
<b>Reason for Modification</b>	Parts catalog correction			

Please add the following part to your parts catalog.

New P/N	Description	Q'ty Used	Parts Catalog	
			Index No.	Page
A4231127	Bin Guide	0 → 2	* 74	3

\* New Index No.



S. Hamano, Assistant General Manager  
 Technical Support Department

MODEL NAME	V/Hz	DESTINATION	JAPAN PRODUCTION		REI PRODUCTION	
			CODE	SERIAL NUMBER	CODE	SERIAL NUMBER
NRG SRC240	115/60	S. AMERICA, etc.	A423-16	Service Parts Only	A423-36	
RICOH CS2090	115/60	USA, CANADA	A423-17	Service Parts Only	A423-06	
NRG SRC240	220/50	EUROPE, etc.	A423-25	Service Parts Only	A423-45	
INFOTEC SORTER 7125	220/50	EUROPE	A423-26	Service Parts Only	A423-46	
RICOH CS2090	220, 240/50	EUROPE, etc.	A423-27	Service Parts Only	A423-47	

<b>Model</b>	Mini Sorter for NC11 / NC-X / Kite / SP40 / SP50 / A7 / N440 / F11	<b>Volt/Hz</b>	<b>Date of Modification</b>	<b>Serial Number</b>
<b>Modified Article</b>	Solid State Relay - 240V / 3A			
<b>Reason for Modification</b>	Vender change			

Due to a vender change, the solid relay has been changed.

Old P/N	New P/N	Description	Q'ty Used	Inter-change-ability	Parts Catalog	
					Index No.	Page
12081024	12081258	Solid State Relay - 240V / 3A	n → n	O/O	105	5

M. Iwasa, Manager  
 Technical Support Department

MODEL NAME	V/Hz	DESTINATION	JAPAN PRODUCTION		REI PRODUCTION	
			CODE	SERIAL NUMBER	CODE	SERIAL NUMBER
SAVIN 20 Bin Sorter 3	115/60	USA, CANADA	A423-15	/	A423-08	/
NRG SRC240	115/60	S. AMERICA, etc.	A423-16	/	A423-36	/
RICOH CS2090	115/60	USA, CANADA	A423-17	/	A423-06	/
NRG SRC240	220/50	EUROPE, etc.	A423-25	/	A423-45	/
INFOTEC SORTER 7125	220/50	EUROPE	A423-26	/	A423-46	/
RICOH CS2090	220, 240/50	EUROPE, etc.	A423-27	/	A423-47	/